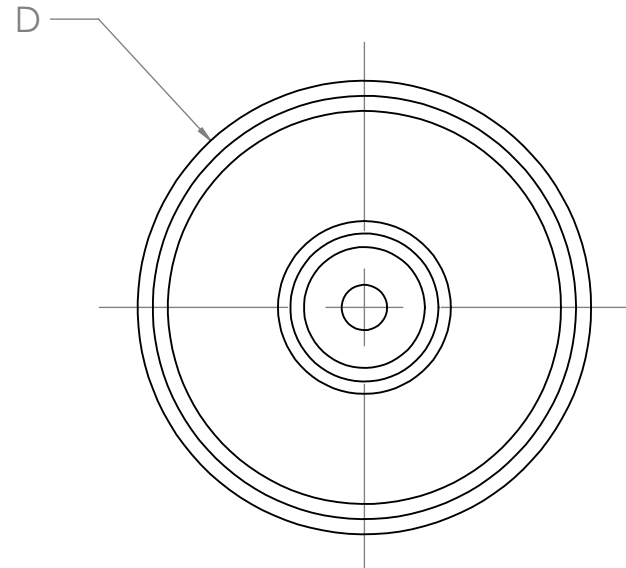
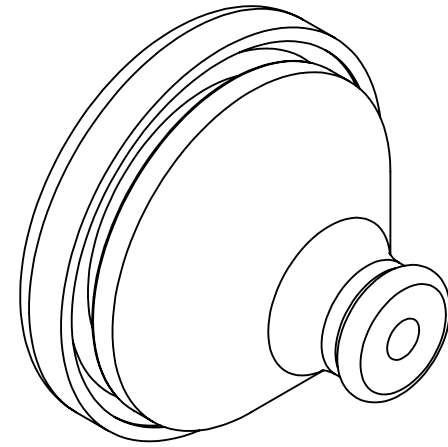
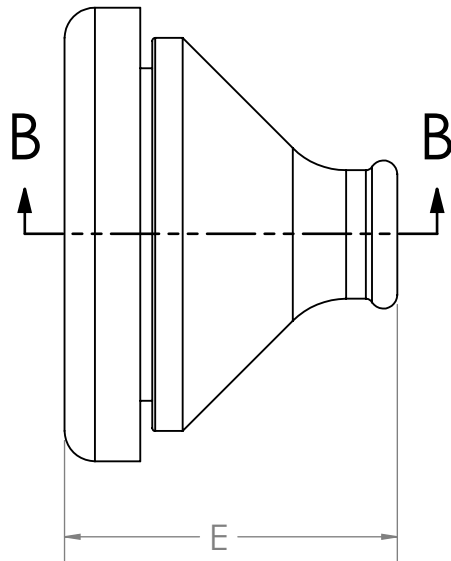



SECTION B-B



UNLESS OTHERWISE SPECIFIED:	NAME	DATE	TITLE:	
DIMENSIONS ARE IN MILLIMETERS TOLERANCES:	DRAWN BY		Body Grommet	
X ± 0.5 X.X ± 0.25	ENG APPR.			
INTERPRET GEOMETRIC TOLERANCING PER ASME Y14.5			REV	
MATERIAL 60A EPDM OR ALT			SIZE	DWG. NO.
FINISH STANDARD F2 FINISH	COMMENTS:		A	
				SHEET 1 OF 1