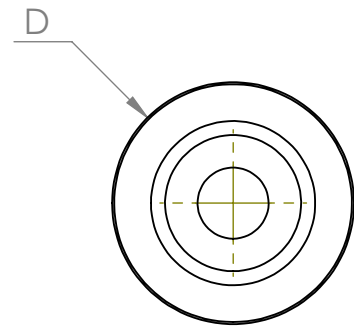
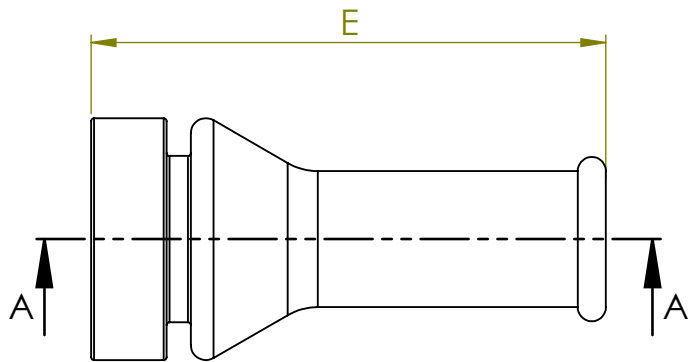
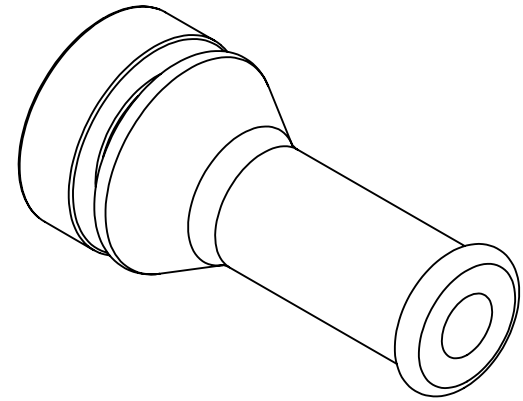



SECTION A-A



UNLESS OTHERWISE SPECIFIED:	NAME	DATE	TITLE:	
DIMENSIONS ARE IN MILLIMETERS	DRAWN BY		<h1>Trumpet</h1>	
TOLERANCES:	ENG APPR.			
$X \pm 0.5$ $X.X \pm 0.25$			SIZE	DWG. NO.
INTERPRET GEOMETRIC TOLERANCING PER ASME Y14.5			COMMENTS:	A
MATERIAL 60A EPDM OR ALT				REV
FINISH STANDARD F2 FINISH				SHEET 1 OF 1