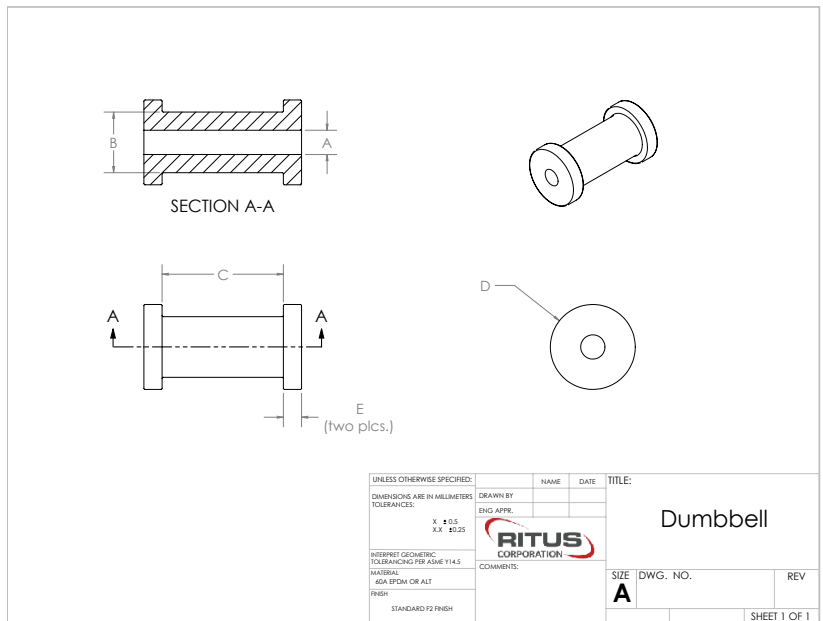


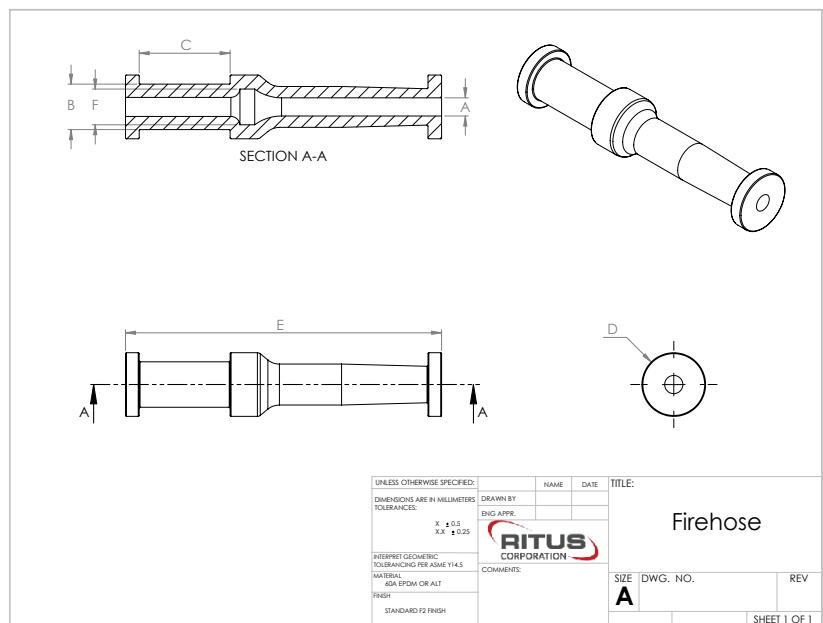
Dumbbell Grommets

Ritus Part Number	Dimensions				
	A	B	C	D	E
DB-05.6-11.0-20.0	5.6	11	20	14	3
DB-05.6-10.0-20.0	5.6	10	20	14	3
DB-05.0-10.0-20.0	5	10	20	14	3
DB-04.3-10.0-20.0	4.3	10	20	20	3
DB-04.3-10.0-20.0	4.3	10	20	14	2
DB-04.0-10.0-20.0	4	10	20	14	3
DB-03.7-10.0-20.0	3.7	10	20	14	3
DB-03.7-10.3-20.5	3.7	10.3	20.5	14.4	3.25
DB-04.1-08.0-20.0	4.1	8	20	12	3
DB-04.0-08.0-20.0	4	8	20	12	3
DB-03.7-08.0-20.0	3.7	8	20	12	3
DB-04.0-07.5-20.0	4	7.5	20	14	3
DB-03.7-07.2-20.0	3.7	7.2	20	14	3
DB-10.4-14.0-15.0	10.4	14	15	18	2
DB-05.7-10.0-09.0	5.7	10	9	14	3
DB-05.4-10.0-09.0	5.4	10	9	14	3
DB-05.0-10.0-09.0	5	10	9	14	3
DB-03.8-10.0-09.0	3.8	10	9	14	3
DB-12.4-20.0-06.0	12.4	20	6	30	6
DB-08.4-20.0-06.0	8.4	20	6	30	6
DB-08.5-14.0-04.0	8.5	14	4	20	4
DB-08.0-14.0-04.0	8	14	4	20	4
DB-09.6-14.0-01.9	9.6	14	1.9	21	7.35
DB-04.0-13.5-22.0	4	13.5	22	17.5	3
DB-05.9-14.0-20.0	5.9	14	20	20	2
DB-05.9-10.0-10.5	5.9	10	10.5	13	2.5
DB-5.65-11.0-3.1	5.65	11	3.1	16	3.9
DB-06.0-06.0-20.0	6	6	20	19	5
DB-12.4-20.0-06.0	12.4	20	6	3	6
DB-08.4-20.0-06.0	8.4	20	6	30	6
DB-11.5-18.0-01.2	11.5	18	1.2	24	3.85
DB-05.0-10.0-20.0	5	10	20	14	3
DB-3.95-10.3-20.5	3.95	10.3	20.5	14.4	3.25
DB-07.3-12.5-07.0	7.3	12.5	7	13	3



Firehose Grommets

Ritus Part Number	Dimensions					
	A	B	C	D	E	F
FH-05.6-09.0-20.0	5.6	9	20	14	69.5	8
FH-05.8-10.0-21.0	5.8	10	21	14	69	5.8
FH-05.6-11.0-17.0	5.6	11	17	14	68	5.6
FH-05.6-11.0-17.25	5.6	11	17.25	14.5	69	5.6
FH-05.8-11.0-17.0	5.8	11	17	14	69	5
FH-05.6-11.0-17.5	5.6	11	17.5	14.5	69	5.6
FH-05.0-10.0-14.0	5	10	14	12	48	5
FH-5.73-11.0-02.5	5.73	11	2.5	18	51	8
FH-05.6-09.0-01.6	5.6	9	1.6	16	51	7.85
FH-03.7-09.0-03.5	3.7	9	3.5	16	51	5.6
FH-03.5-12.0-02.0	3.5	12	2	17	54	3.5
FH-03.5-08.0-20.0	3.5	8	20	14	47	3.5
FH-04.7-09.0-01.6	4.7	9	1.6	16	51	8
FH-08.0-09.0-01.6	8	9	1.6	16	51	11
FH-4.85-09.3-01.7	4.85	9.3	1.7	16.5	51.8	8
FH-04.7-08.0-01.6	4.7	8	1.6	16	51	8
FH-4.85-09.8-2.55	4.85	9.8	2.55	25.5	51.8	8
FH-4.85-09.3-2.55	4.85	9.3	2.55	25.5	51.8	8.2
FH-08.0-09.0-01.5	8	9	1.5	25	51	8
FH-4.85-10.4-01.7	4.85	10.4	1.7	25.5	51.8	8
FH-05.6-10.0-17.0	5.6	10	17	14	68	8
FH-04.4-09.9-20.0	4.4	9.9	20	14	70	8
FH-04.7-09.0-01.6	4.7	9	1.6	16	51	8
FH-04.7-09.0-03.6	4.7	9	3.6	16	51	8
FH-3.75-09.0-14.0	3.75	9	14	11	40	3.75
FH-05.8-11.0-01.6	5.8	11	1.6	16	51	8
FH-04.4-09.9-20.0	4.4	9	20	14	68	6
FH-03.7-11.9-03.6	3.7	11.9	3.6	17	55	3.7
FH-03.8-11.0-01.6	3.8	11	1.6	16	51	6.3
FH-04.0-10.0-17.5	4	10	17.5	14.5	69	4
FH-04.3-08.8-20.0	4.3	8.8	20	14	70	4.3
FH-04.0-10.0-20.0	4	10	20	14	69.5	6.4

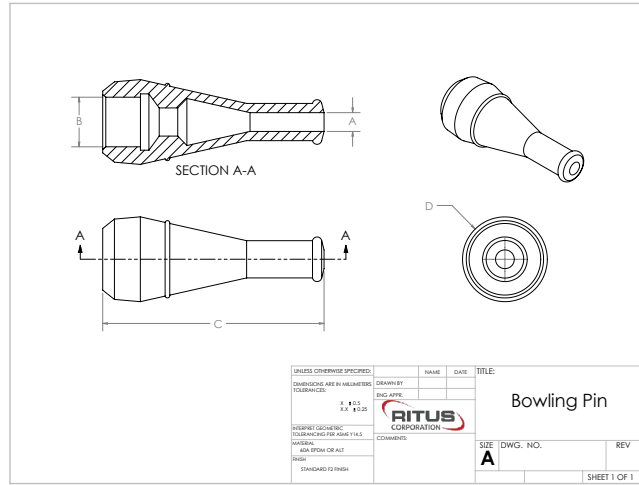


Ritus Corporation's Standard Wiring Grommets are made of automotive 60A EPDM but may be produced in various durometers or material types. Minor changes to inner-diameter may be available for a nominal tooling fee. *Minimum order quantities are required.*

Standard Wiring Grommets

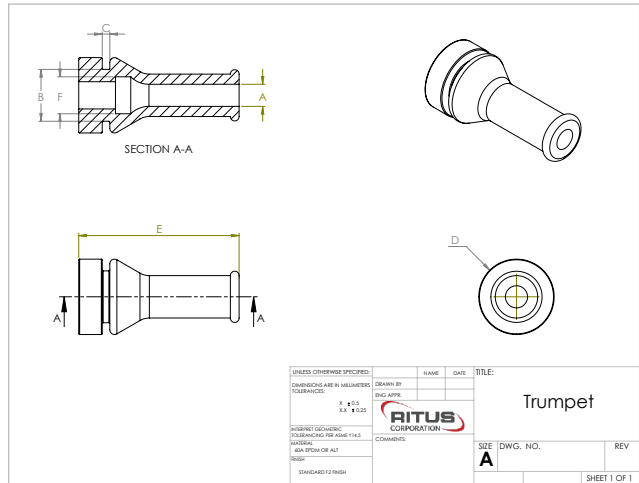
Bowling Pin Grommets

Ritus Part Number	Dimensions			
	A	B	C	D
BP-02.9-13.1-47.0	2.9	13.1	47	18
BP-05.0-13.1-47.0	5	13.1	47	18
BP-03.3-13.1-47.0	3.3	13.1	47	18
BP-5.25-11.3-48.0	5.25	11.3	48	18.5
BP-5.25-11.3-48.0	5.25	11.3	48	18.5
BP-05.0-10.9-47.0	5	10.9	47	18
BP-03.5-10.9-47.0	3.5	10.9	47	18
BP-5.25-11.3-48.0	5.25	11.3	48	18.5
BP-05.5-08.5-47.0	5.5	8.5	47	18



Trumpet Grommets

Ritus Part Number	Dimensions					
	A	B	C	D	E	F
TR-05.6-08.0-01.6	5.6	8	1.6	16	31	8
TR-03.5-11.0-03.2	3.5	11	3.2	17	26.2	3.5
TR-03.8-02.0-17.0	3.8	8	2	17	25	3.5
TR-05.0-08.0-14.0	5	8	14	12	28	5
TR-04.0-11.0-01.6	4	11	1.6	16	31	8
TR-03.6-10.5-03.0	3.6	10.5	3	16	35	8
TR-04.0-08.0-20.0	4	8	20	14	34	8
TR-03.5-08.0-14.0*	3.5	8	14	12	38	3.5
TR-03.2-11.0-02.3	3.2	11	2.3	17	23.8	3.2



Body Grommets

Ritus Part Number	Dimensions				
	A	B	C	D	E
BD-03.0-27.0-02.5	3	27	2.5	35.5	21.5
BD-3.15-27.5-03.0	3.15	27.5	3	36.1	22
BD-03.0-22.0-03.0	3	22	3	30.5	21.5
BD-03.0-18.0-02.0	3	18	2	30	22
BD-03.5-27.6-02.0	3.5	27.6	2	35	22
BD-04.0-25.0-3.25	4	25	3.25	34.5	-
BD-05.1-27.5-3.25	5.1	27.5	3.25	34.5	-
BD-05.0-10.64-02.0	5	10.64	2	22	16
BD-9.65-14.8-0.91	9.65	14.8	0.91	25	36.77
BD-07.0-50.0-02.0	7	50	2	36	59
BD-03.0-22.0-02.0	3	22	2	30	22
BD-07.3-17.7-03.0	7.3	17.7	3	23.7	31.5
BD-04.0-11.0-00.7	4	11	0.7	25	24.5
BD-07.5-13.0-2.65	7.5	13	2.65	22.5	13.5
BD-03.7-11.0-01.2	3.7	11	1.2	16	23

